

# Square 2F Solid Carbide End Mills

[Read More](#)

**SKU:**

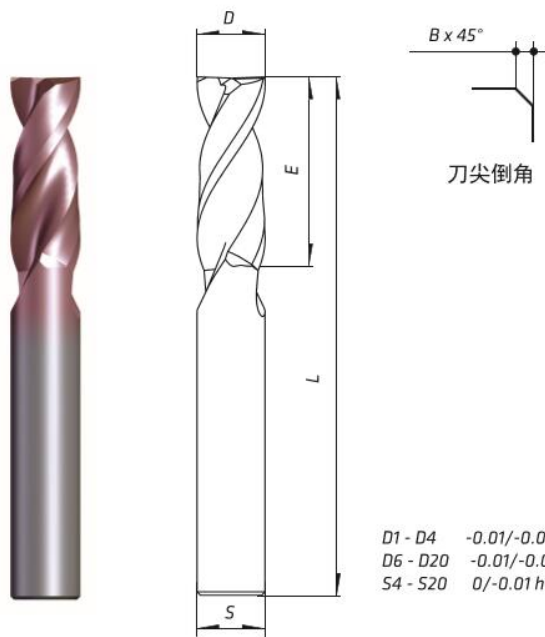
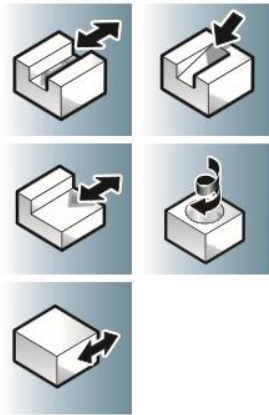
**Price:**

**Stock:** instock

**Categories:** [END MILL](#), [SOLID CARBIDE END MILLS](#)

## Product Description

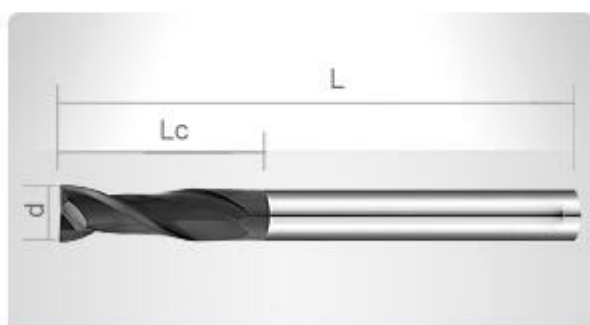
### GPSF2 规格尺寸



D1 - D4	-0.01/-0.03
D6 - D20	-0.01/-0.04
S4 - S20	0/-0.01 h6

EDP NO.	D	S	E	L	B	Price
GPSF2-D1.0	1	4	3	50	0.1	
GPSF2-D1.5	1.5	4	5	50	0.1	
GPSF2-D2.0	2	4	6	50	0.1	
GPSF2-D2.5	2.5	4	8	50	0.1	
GPSF2-D3.0	3	4	8	50	0.15	
GPSF2-D4.0	4	4	11	50	0.15	
GPSF2-D5.0	5	5	13	50	0.15	
GPSF2-D6.0	6	6	16	50	0.2	
GPSF2-D8.0	8	8	20	60	0.2	
GPSF2-D10.0	10	10	22	72	0.2	
GPSF2-D12.0	12	12	26	75	0.2	
GPSF2-D14.0	14	14	32	90	0.2	
GPSF2-D16.0	16	16	38	100	0.2	
GPSF2-D20.0	20	20	38	100	0.2	

+ Square End Mills-2F Long



Dimension (mm)			
d	D	lc	L
Φ4	4	25	75
Φ6	6	30	100
Φ8	8	40	100
Φ10	10	40	100
Φ12	12	50	100
Φ16	16	70	150
Φ20	20	70	150

Art.No: EC410232