

Ball Nose 2F Solid Carbide End Mills

[Read More](#)

SKU:

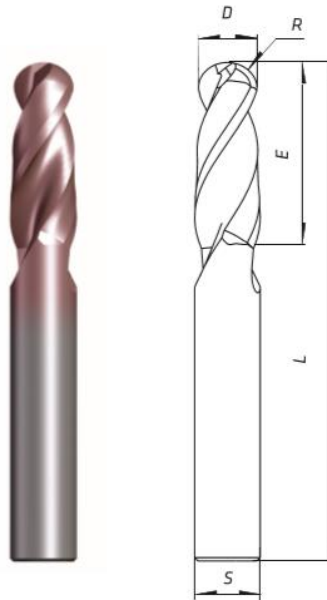
Price:

Stock: instock

Categories: [END MILL](#), [SOLID CARBIDE END MILLS](#)

Product Description

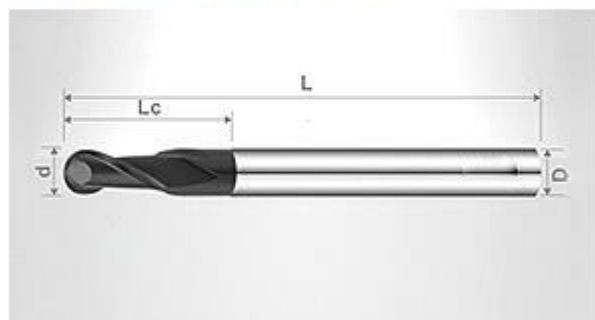
GPBF2 规格尺寸



R0.5-R3	±0.01
R4-R10	±0.02
D1 - D4	-0.01/-0.03
D6 - D20	-0.01/-0.04
S4 - S20	0/-0.01 h6

EDP NO.	D	S	E	L	R	Price
GPBF2-D1.0xR0.5	1	4	2	50	R0.5	
GPBF2-D1.5xR0.75	1.5	4	4	50	R0.75	
GPBF2-D2.0xR1.0	2	4	5	50	R1.0	
GPBF2-D2.5xR1.25	2.5	4	6	50	R1.25	
GPBF2-D3.0xR1.5	3	4	6	50	R1.5	
GPBF2-D4.0xR2.0	4	4	8	50	R2.0	
GPBF2-D5.0xR2.5	5	5	10	50	R2.5	
GPBF2-D6.0xR3.0	6	6	12	50	R3.0	
GPBF2-D8.0xR4.0	8	8	14	60	R4.0	
GPBF2-D10.0xR5.0	10	10	20	75	R5.0	
GPBF2-D12.0xR6.0	12	12	24	75	R6.0	
GPBF2-D16.0xR8.0	16	16	32	100	R8.0	
GPBF2-D20.0xR10.0	20	20	40	100	R10.0	

+ Ball Nose End Mills-2F Long



Dimension (mm)

d	D	lc	L
R3	6	25	100
R4	8	25	100
R5	10	25	100
R6	12	45	100
R8	16	45	150
R10	20	45	150

Art.No: EC422132