

# 3F END MILLS FOR ALUMINUM

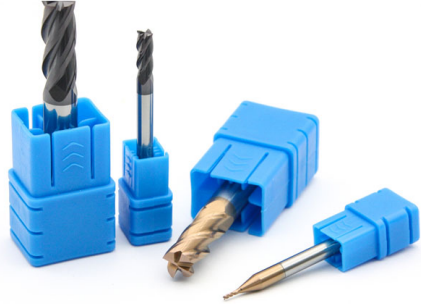
[Read More](#)

**SKU:**

**Price:**

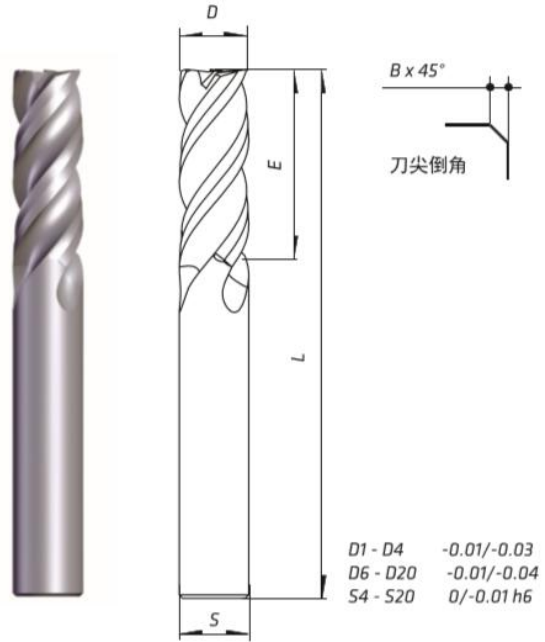
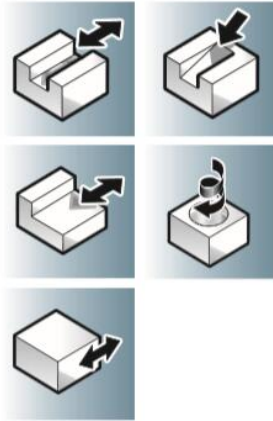
**Stock:** instock

**Categories:** [END MILL](#), [END MILLS FOR ALUMINUM](#)



## Product Description

### ACSF3 规格尺寸



<b>EDP NO.</b>	<b>D</b>	<b>S</b>	<b>E</b>	<b>L</b>	<b>B</b>	<b>Price</b>
<i>ACSF3-D1.0</i>	1	4	3	40	0.1	
<i>ACSF3-D2.0</i>	2	4	6	40	0.1	
<i>ACSF3-D3.0</i>	3	4	8	45	0.1	
<i>ACSF3-D4.0</i>	4	4	11	45	0.1	
<i>ACSF3-D5.0</i>	5	5	13	50	0.15	
<i>ACSF3-D6.0</i>	6	6	13	50	0.15	
<i>ACSF3-D8.0</i>	8	8	19	60	0.15	
<i>ACSF3-D10.0</i>	10	10	22	70	0.2	
<i>ACSF3-D12.0</i>	12	12	26	75	0.2	
<i>ACSF3-D14.0</i>	14	14	26	75	0.2	
<i>ACSF3-D16.0</i>	16	16	25	75	0.2	
<i>ACSF3-D18.0</i>	18	18	32	100	0.2	
<i>ACSF3-D20.0</i>	20	20	32	100	0.2	